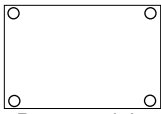


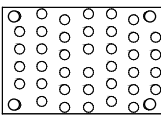
# ASSEMBLY INSTRUCTIONS

## Components:

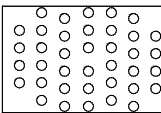
### Panels:



(1) - Bottom solid panel  
(open hole sockets with  
caster adaptors)



(1) - Bottom tool panel  
(open hole sockets)



(1) - Top tool panel  
(closed hole sockets)

### Legs:

(4) - 30"

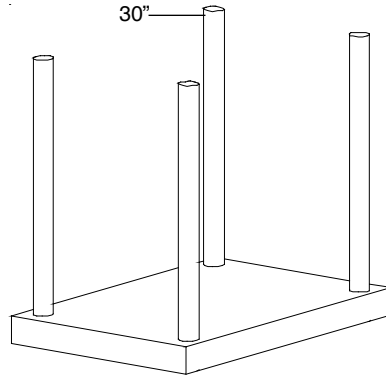
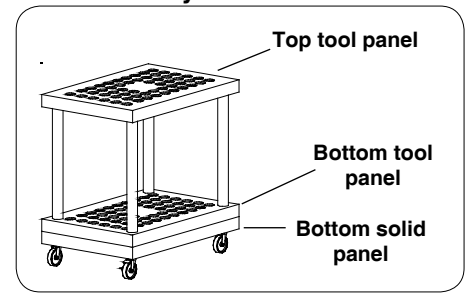
### Accessories:

(2) - Casters with brake  
(2) - Caster without brake

## BTCS363724 Tool Cart

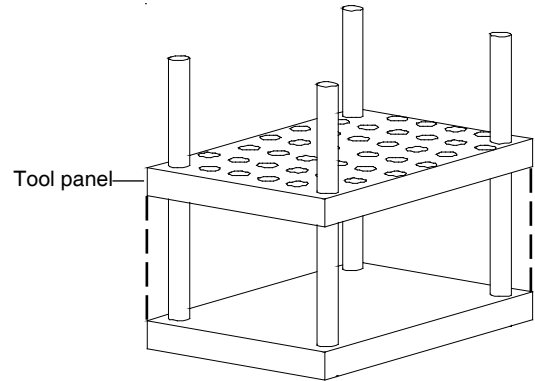
Oil All Sockets  
Before Assembly

## Fully Assembled



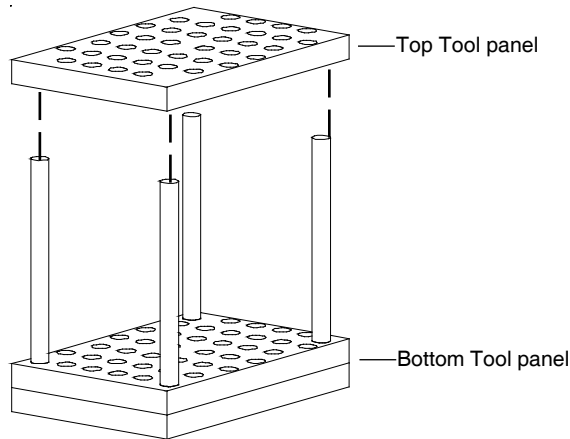
### Step 1 Bottom Solid Panel

Lay (1) **bottom solid panel** on the floor. Next, insert (4) **30" legs** into open hole sockets and push down until leg stops at bottom of socket as shown.



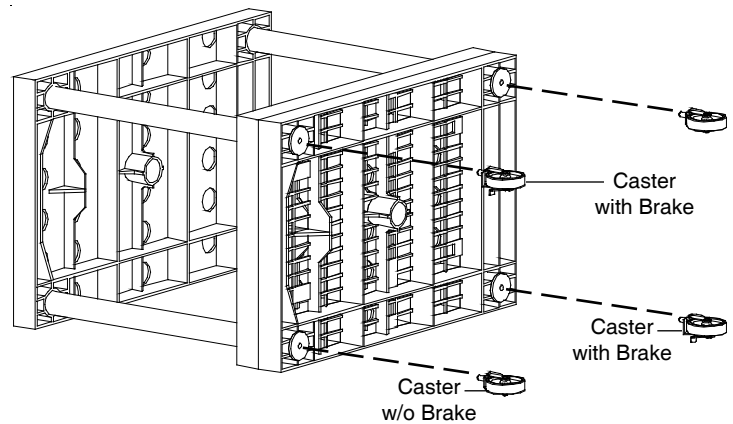
### Step 2 Bottom Tool Panel

Position the **bottom tool panel** (open hole sockets) on the 30" legs and slide **bottom tool panel** down over legs until it rests on the bottom solid panel as shown.



### Step 3 Top Tool Panel

Next, position the **top tool panel** (closed hole sockets) on the 30" legs and push it all the way down until the legs are completely inserted in the sockets. Make sure holes in top tool panel match bottom tool panel as shown.



### Step 4 Casters

Lay entire unit down and insert casters as shown.